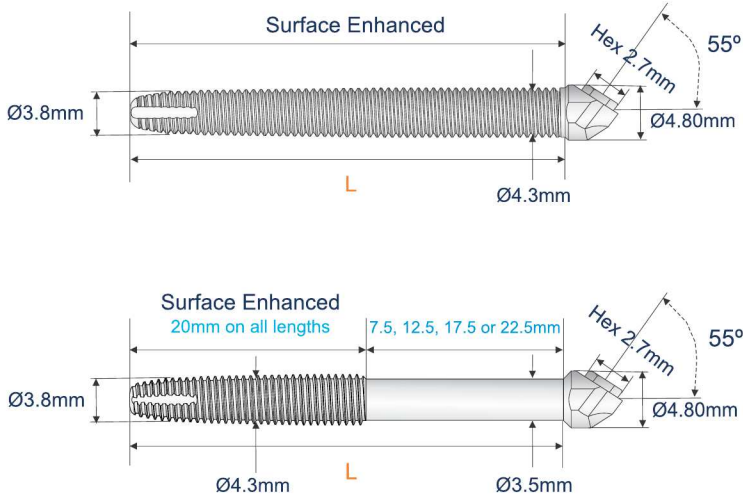


Zygomatic & Oncology Implants



Zygomatic Implants are available in lengths:

35mm	code: ZYG-55-35N
37.5mm	code: ZYG-55-37.5N
40mm	code: ZYG-55-40N
42.5mm	code: ZYG-55-42.5N
45mm	code: ZYG-55-45N
47.5mm	code: ZYG-55-47.5N
50mm	code: ZYG-55-50N
52.5mm	code: ZYG-55-52.5N
55mm	code: ZYG-55-55N
60mm	code: ZYG-55-60N

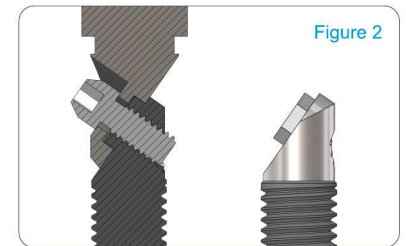
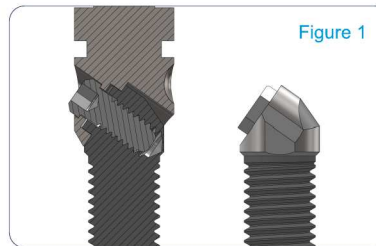
Oncology Implants are available in lengths:

27.5mm	code: ONC-55-27.5N
32.5mm	code: ONC-55-32.5N
37.5mm	code: ONC-55-37.5N
42.5mm	code: ONC-55-42.5N
47.5mm	code: ONC-55-47.5N

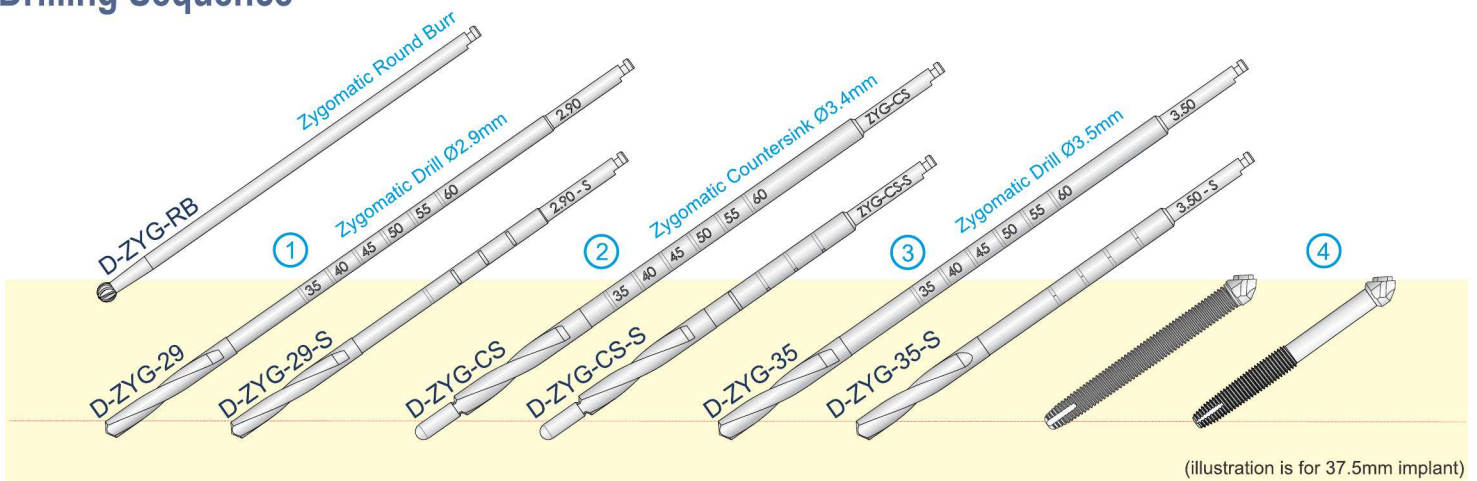
New Zygomatic & Oncology Design vs. Previous Generation

The latest generation Zygomatic and Oncology implant has an increased diameter to allow the internal screw thread to not protrude through the back of the implant while still maintaining compatibility with Southern's Z series range of screws.

Figure 1 represents the new design, and Figure 2 the previous generation design.

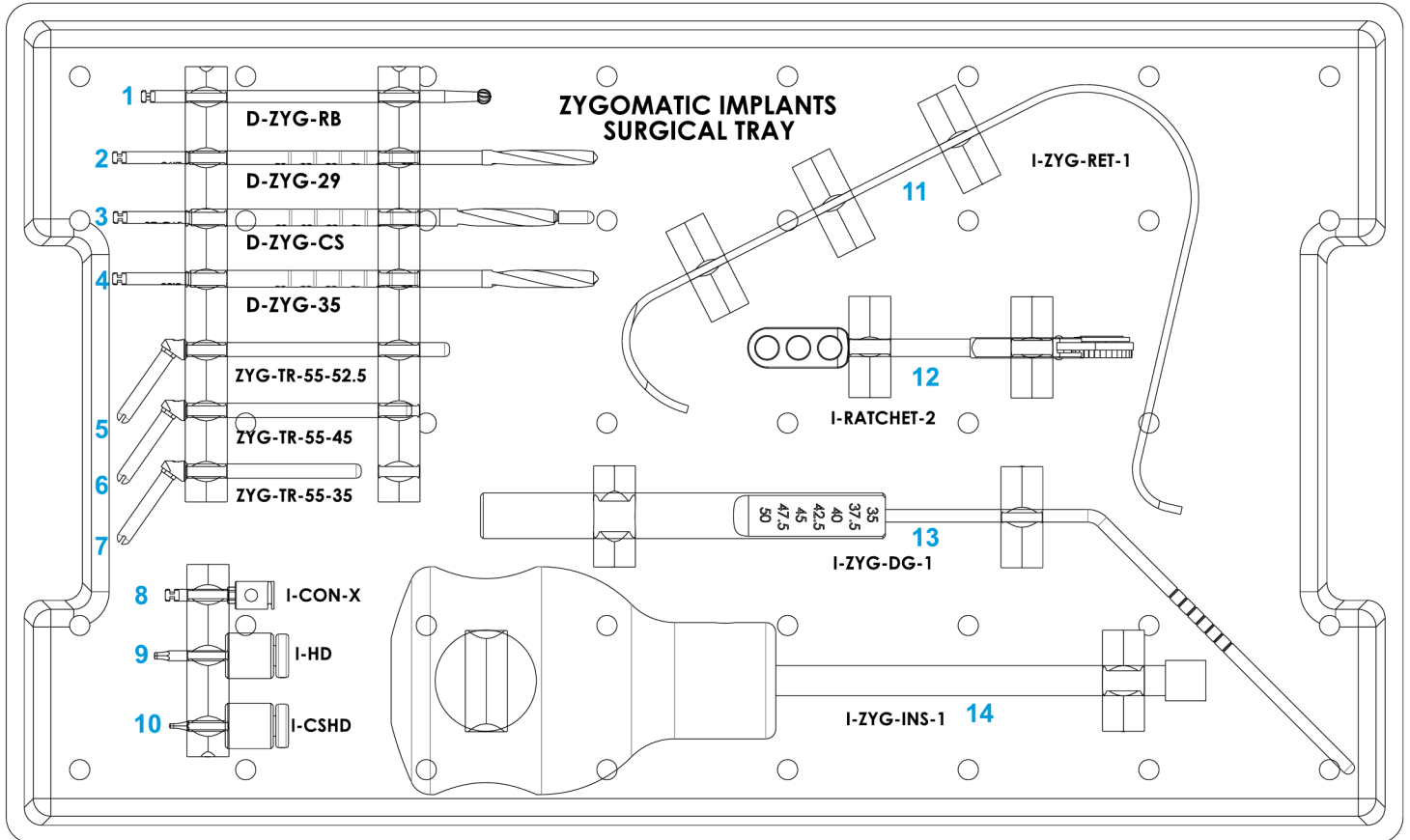


Drilling Sequence



Step 1: Pilot Drill to full depth of implant | **Step 2:** Countersink | **Step 3:** Diameter 3.4mm Drill to full depth | **Step 4:** Place Implant

Zygomatic Instrument Tray (I-ZYG-1)



* Zygomatic "TRY-IN" Implants are suitable for use with both the new and previous generation implants.
Please refer to [CAT-1039](#) for cleaning and sterilization procedures.

I-ZYG-1 - Layout Information

1	D-ZYG-RB	<i>Round Burr</i>	9	I-HD	<i>1.22mm Hex Driver, Hand Held</i>
2	D-ZYG-29	<i>Twist Drill, Ø2.9</i>	10	I-CSHD	<i>0.9mm Hex Driver, Hand Held</i>
3	D-ZYG-CS	<i>Counterbore</i>	11	I-ZYG-RET-1	<i>Soft Tissue Retractor</i>
4	D-ZYG-35	<i>Twist Drill, Ø3.5</i>	12	I-RATCHET-2	<i>Ratchet Wrench</i>
5	ZYG-TR-55-52.5	<i>Try-In Implant, ZYG-55-52.5</i>	13	I-ZYG-DG-1	<i>Depth Gauge, Zygomatic Implant</i>
6	ZYG-TR-55-45	<i>Try-In Implant, ZYG-55-45</i>	14	I-ZYG-INS-1	<i>Insertion Tool, Zygomatic Implant</i>
7	ZYG-TR-55-35	<i>Try-In Implant, ZYG-55-35</i>	15	I-ZYG-1	<i>Zygomatic Tray</i>
8	I-CON-X	<i>Connector to handpiece</i>			